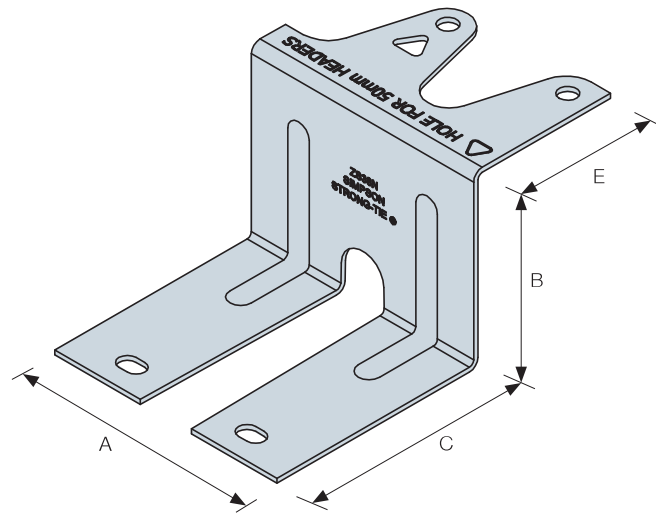


Timber Hangers for I-Joists

ZS - Slotted Z-Clip

The ZS clip allows I-joists or solid sawn timber to be used as noggings between joists to support floor decks or partitions.

- Fully interlocking top flange works on all I-joist header widths to prevent overlapping of opposing clips.
- Slotted bottom flange allows I-joist off-cuts to be used as noggings.
- Triangular nail hole for use with 50mm wide headers, also it ensures that nails can be staggered when ZS clips are interlocked.
- Embossed bottom flange provides greatly enhanced resistance to bending.
- Obround nail holes in the bottom flange ensure easier angled nailing.



Patent: GB2394757

Material: Pre-galvanised mild steel.

Installation:

- Use all specified fasteners.
- Nail to underside of the noggin.
- Place top flange onto header beam and nail in place.

ZS Item Codes and Performance Values

Item Code	Dimensions [mm]				Qty.	Safe Working Loads [kN] ⁽¹⁾		Characteristic Loads [kN] ⁽¹⁾	
	A	B	C	E		C24	I-Joist	C24	I-Joist
ZS38N	52	38	46	31	4	1.80	1.90	3.60	3.80
ZS45N		45	39						
ZS47N		47	37						

1. Loads given are per noggin - not per Z-Clip.

2. 3.75 x 30mm square twist nails.

Typical I-joist Installation

ZS Clips interlock allowing back-to-back installation on any I-joist header width. Triangular holes prevent header nails from lining up.

