

Roof Connectors

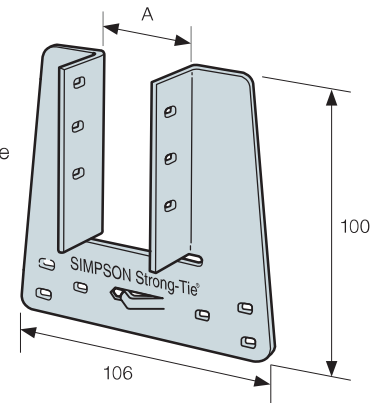
TCP Truss Clip

The TCP truss clip attaches girders, trusses and rafters to wall plates to provide wind uplift restraint.

- TCP Truss Clips may be used for general purposes and as all-purpose ties wherever one member crosses another.
- Speed prong provides temporary attachment for ease of installation.
- Obround holes for easier nail driving.

Material: Pre-galvanised mild steel.

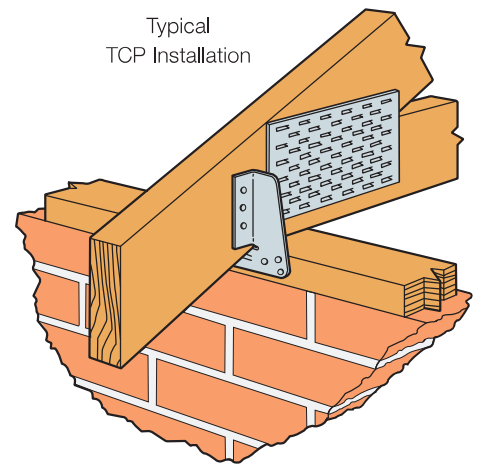
Installation: Use all specified fasteners.



TCP Item Codes and Performance Values

| Model No. | A [mm] | Qty Fasteners ⁽²⁾ | | Safe Working Load Short Term Uplift [kN] | Characteristic Capacity Uplift [kN] |
|-----------|--------|------------------------------|------------|--|-------------------------------------|
| | | Truss | Wall Plate | | |
| TCP38 | 38 | 6 | 6 | 2.13 | 3.30 |
| TCP47 | 47 | 6 | 6 | 2.13 | 3.30 |
| TCP50 | 50 | 6 | 6 | 2.13 | 3.30 |

1. Safe Working Loads are based on load tests conducted at CERAM Building Technology.
 2. 3.75x30mm Square Twist Nails.

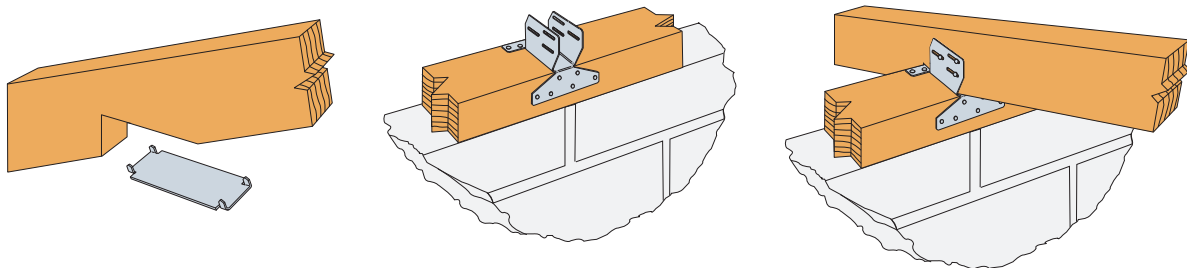


GS Glide Shoe

Glide shoes are specially designed to allow horizontal movement between raised tie trusses and wallplates.

The GS allows lateral movement of raised tie trusses up to 15mm during installation of roofing materials and resists uplift forces. Typically used on one or both ends of the truss as determined by the truss designer.

Material: Pre-galvanised mild steel.



GS Item Codes and Performance Values

| Model No. | A [mm] | Qty Fasteners ⁽¹⁾ | | Safe Working Loads [kN] | | Characteristic Capacity [kN] | |
|-----------|--------|------------------------------|----------------|-------------------------|-------------------|------------------------------|--------|
| | | Support | Carried Member | Short Term Lateral | Short Term Uplift | Lateral | Uplift |
| GS38 | 38 | 10 | 6 | 3.3 | 1.4 | 6.6 | 2.8 |
| GS50 | 50 | | | | | | |
| GS75 | 75 | | | | | | |
| GS100 | 100 | | | | | | |
| GS150 | 150 | | | | | | |
| GS200 | 200 | | | | | | |

1. 3.75x30mm Square Twist Nails.

