

Angle Brackets and Ties

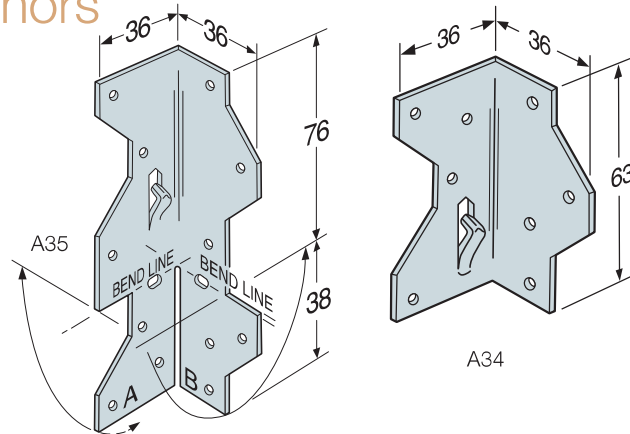
A34/A35 Framing Anchors

The A35 anchor's exclusive bending slot allows instant, accurate bending on site for all two and three-way ties.

Balanced, completely reversible design allows the A35 to be used to secure a wide variety of connections.

Material: Pre-galvanised mild steel.

Installation: Use all the specified fasteners.



A34/A35 item Codes and Performance Values

| Model No. | Type of | Fasteners (3.75 x 30mm Square Twist) | Direction of Load | Safe Working Loads [kN] C16 Timber | | Characteristic Capacity [kN] Per Connector C24 Timber | Characteristic Capacity [kN] Per Pair of Connectors C24 Timber |
|-----------|---------|--------------------------------------|-------------------|------------------------------------|-------------|---|--|
| | | | | Long Term | Medium Term | | |
| A34 | 1 | 8 | F1 | 1.30 | 1.49 | 0.97 | - |
| | | | F2 | 1.06 | 1.21 | 0.63 | - |
| A35 | 2 | 12 | F1 | 1.30 | 1.49 | 1.33 | - |
| | | | F2 | 1.46 | 1.67 | 0.89 | - |
| | 3 | 9 | F1 | 0.98 | 1.12 | 0.60 | 5.26 |
| | | | F2 | 0.64 | 0.73 | 0.59 | - |
| | 4 | 12 | F1 | 0.98 | 1.12 | 1.03 | 5.26 |
| | | | F2 | 0.98 | 1.12 | 1.14 | - |
| | | | F3 | 0.57 | 0.65 | 0.84 | - |

- Some illustrations show connections that would cause cross grain tension or bending of the wood during loading if not reinforced sufficiently. In which case, consider mechanical reinforcement.
- When framing anchors are installed on each side of the joist, the minimum thickness is 47mm.
- Framing anchors must be installed diagonally opposite each other for the higher characteristic capacities to be applicable.

Type of connections

