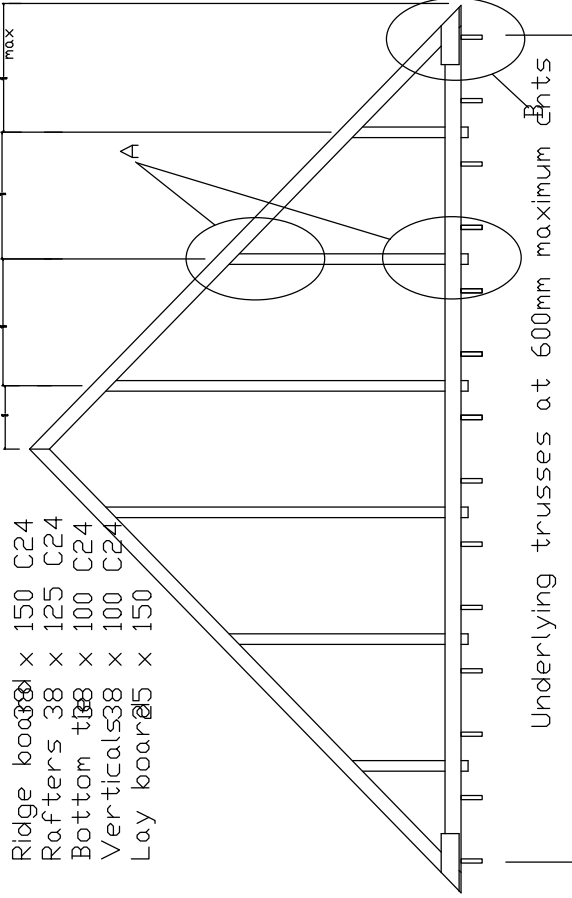
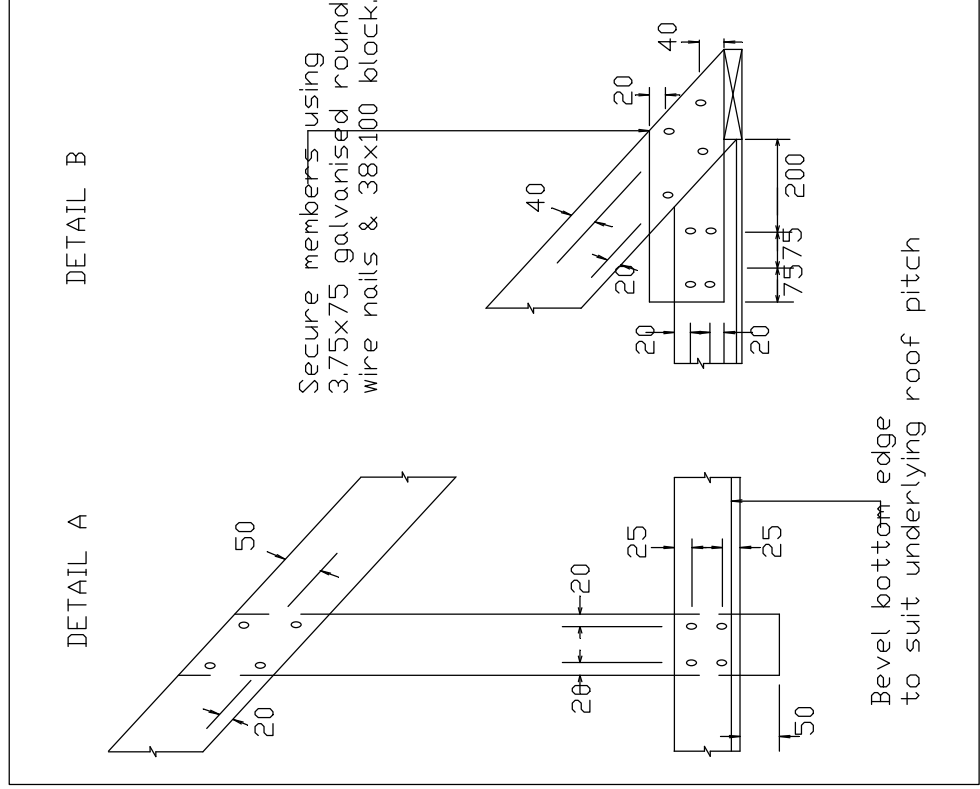


Site Constructed Valley Frames



This information is only valid for triangulated chords as shown above, not truated frames.



Unit 9a
Commerce Way
Walrow Ind.Est.
Highbridge
Somerset
TA9 4AG
Tel:- (01278) 793808
Fax:- (01278) 793795
www.manderwood.co.uk



TITLE			
Site Constructed Valley set			
SIZE	CAGE CODE	DWG NO	REV
A4		Valley 01	
SCALE	n.t.s	SHEET	