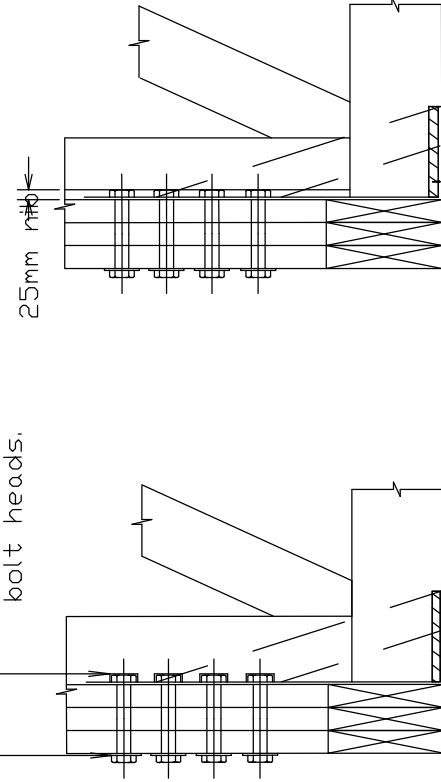


Alternative detail avoiding notching of end vertical

Notch / drill to receive bolt heads.  
Bolts & washers



Note: fix top of incoming girder to face of primary girder with 2no. framing anchors. Notch underside of incoming girder to give consistant ceiling level.

Unit 9a  
Commerce Way  
Walrow Ind.Est.  
Highbridge  
Somerset  
TA9 4AG  
Tel:- (01278) 793808  
Fax:- (01278) 793795  
www.manderwood.co.uk



TITLE			
Girder to Girder Fixing			
SIZE	CAGE CODE	DWG NO	REV
A4		Girder 02	
SCALE	n.t.s		SHEET