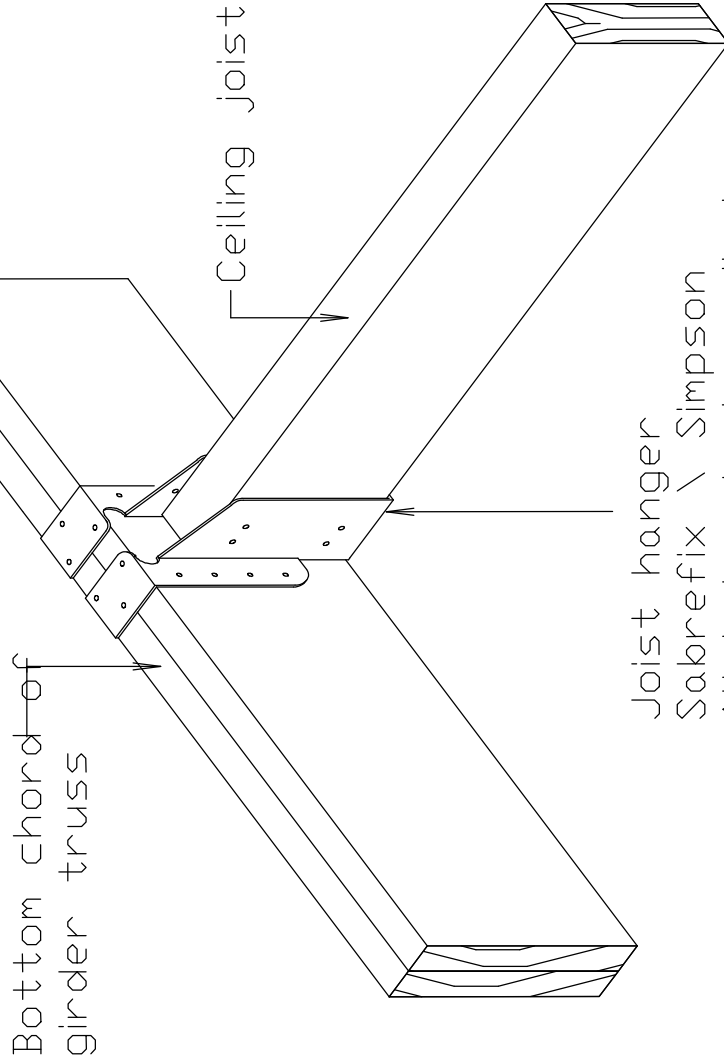
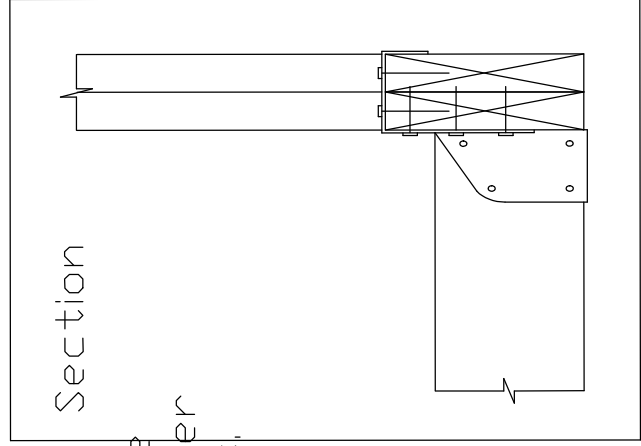


Ceiling Joist To Girder

Fixing SS



Joist hanger
 Sabrefix \ Simpson
 All holes to be nailed
 using 3.75x30 square
 twisted sheradised
 nails.



NB: Joist hangers are
 not suitable for girder
 to truss connections.

Unit 9a
 Commerce Way
 Walrow Ind.Est.
 Highbridge
 Somerset
 TA9 4AG
 Tel:- (01278) 793808
 Fax:- (01278) 793795
 www.manderwood.co.uk



TITLE			
Ceiling joist to Girder			
SIZE	CAGE CODE	DWG NO	REV
A4		Joist 01	
SCALE	n.t.s		SHEET