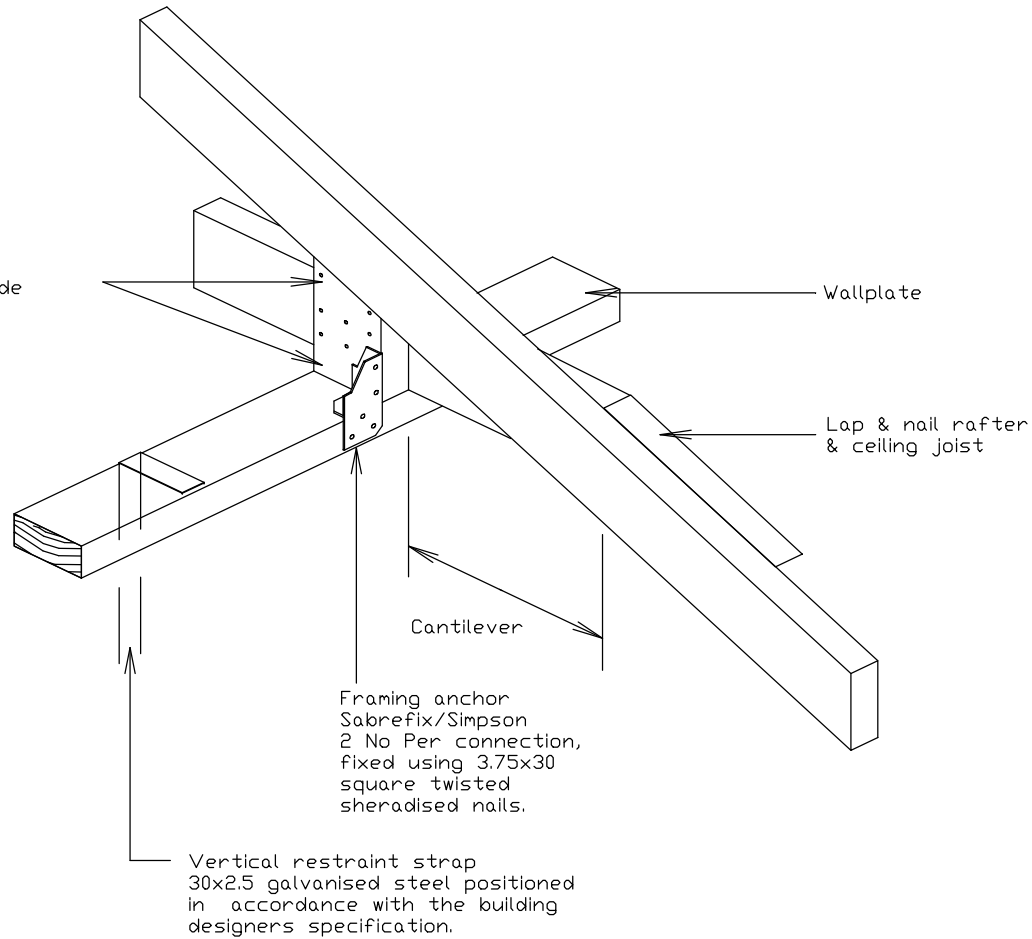


Fixing To Wallplate, For Cantilevered Eaves.

TS11

Insert post tight to underside
of rafter.
Lap & nail to ceiling joist.



Unit 9a
Commerce Way
Walrow Ind.Est.
Highbridge
Somerset
TA9 4AG
Tel:- (01278) 793808
Fax:- (01278) 793795
www.manderwood.co.uk



TITLE			
Cantilevered Infill at Eaves			
SIZE	CAGE CODE	DWG NO	REV
A4		Infill 01	
SCALE	n.t.s		SHEET