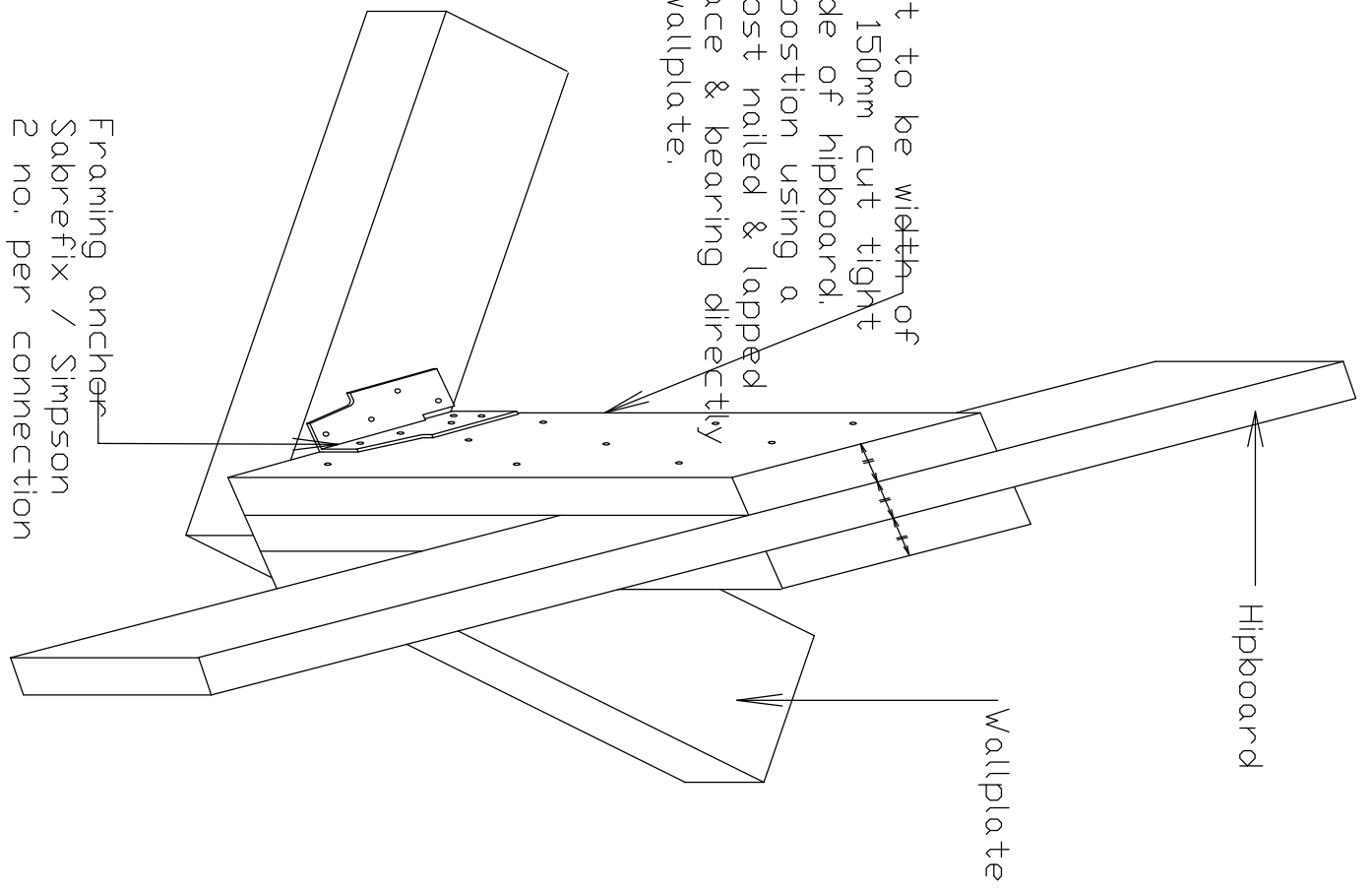


Cantilevered Hipboard Support
 At Wallplate Location.

Timber post to be width of
 hipboard x 150mm cut tight
 to underside of hipboard.
 Secure in position using a
 150 x 50 post nailed & lapped
 to each face & bearing directly
 upon the wallplate.



Framing anchor
 Sabrefix / Simpson
 2 no. per connection
 fixed using 3.75x30
 square twisted sheradised
 nails.



Unit 9a
 Commerce Way
 Walrow Ind.Est.
 Highbridge
 Somerset
 TA9 4AG
 Tel:- (01278) 793808
 Fax:- (01278) 793795
 www.manderwood.co.uk

TITLE			
Cantilevered Hipboard			
SIZE	CAGE CODE	DWG NO	REV
A4		Hipboard 02	
SCALE	n.t.s		SHEET