

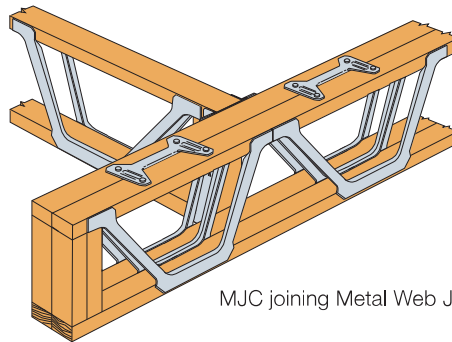
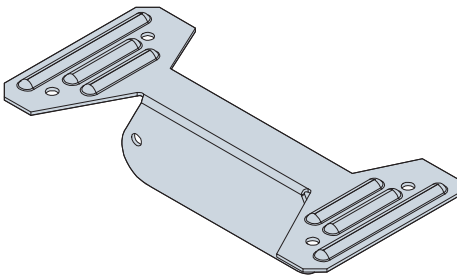
# Timber Hangers for Metal Web Joists

## MJC Multiple Metal Web Joist Connector

The multi joist connector (MJC) allows two metal web joists to be fixed together to act as a single unit, transferring the incoming load from the loaded ply to the unloaded ply.

It's simple and effective design allows one size of product to be used on any joist size – regardless of height or width.

- Quick and simple to install.
- Safely joins multiple Metal Web Joists together, allowing them to act as a single unit.
- One product fits all joist height and width combinations.
- Just one nail size required: 3.75 x 30mm square twist.



MJC joining Metal Web Joists

Maximum Incoming Concentrated Load <sup>(1)</sup>		
Number of MJC's <sup>(2)</sup>	Safe Working Load [kN]	Characteristic Performance [kN]
4	3.80	9.12
8	5.70	13.68

Maximum Incoming Regular Load <sup>(3)</sup>		
Number of MJC's <sup>(4)</sup>	Safe Working Load [kN]	Characteristic Performance [kN]
2	1.90	4.56
4	2.85	6.84

1. Maximum Incoming Concentrated Load refers to the maximum concentrated load that can be applied when the MJC's are installed either side of the incoming load.
2. Number of MJC's equally spaced about the incoming load.
3. Maximum Incoming Regular Load refers to the maximum load that can be applied at regular intervals along the supporting timber.
4. Number of MJC's between each incoming load.

### MJC Installations with Metal Web Beams

#### Step 1:

Position the MJC's onto the 1st joist - ensuring that they are centred about the incoming load at 400mm c/c (may be adjusted within 10mm each way). Please note that the connectors can be installed in any orientation.

Secure each MJC with 4 no. 3.75 x 30mm square twist nails to the top and bottom joist flanges as shown.

#### Step 2:

Position 2nd joist ensuring ends are flush and joists are parallel.

Secure the joist using 2no. 3.75 x 30mm square twist nails per MJC into the top and bottom joist flanges as shown.

